

## Multi-tag Proximity Reader ID RWA02 (125 kHz)



### FEATURES

- Multi-tag Reader (HITAG S, HITAG 1, HITAG 2, several transponders by Temic, Sokymat, EM etc.)
- Suitable for indoor- and outdoor use (IP54)
- Serial interfaces (RS232, RS485)
- The reader has its own local intelligence, the most important functions of the reader can be configured to support an offline operational mode
- The reader can be used within OBID® megalock applications, too





## RFID Proximity Reader ID RWA02.10-AD / -B

### DESCRIPTION

#### Order description:

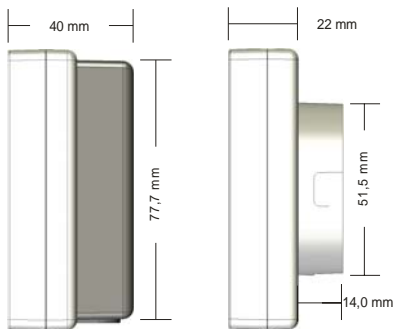
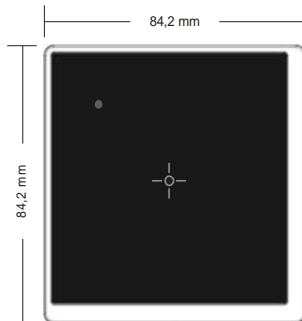
#### Proximity-Reader ID RWA02.10-AD / -B

The ID RWA02.10-AD /-B is designed as a wall-mounted device for contactless data exchange with common 125 kHz transponders for applications like access control, time attendance and payment systems.

For power supply an external power supply unit is necessary, data exchange with a computer or other equipment is carried out via a serial (RS232 or RS485) interface.

#### Scope of delivery:

- Reader ID RWA02.10-AD or ID RWA02.10-B
- Surface spacer for surface mount installation
- Installation manual



### TECHNICAL DATA

Dimensions	
Reader	84.2 x 84.2 x 22 mm (3.33x3.33x0.87 in)
Surface spacer	77.7 x 77.7 x 18 mm (3.07x3.07x0.71 in)
Housing	Plastic ASA, Front: acrylic glass
Color	Corpus: white / Front panel: black
Weight	approx. 150 g
Protection class	IP 54
Operating frequency	125 kHz
Supply voltage	12-24 V AC/DC
Current consumption	max. 2,5 W
Supported transponders	125 kHz transponders <sub>1</sub>
Operation modes	Polling-Mode
Antenna	integrated, approx. 70 x 70 mm (2.77x2.77 in)
Interfaces	
ID RWA02.10-AD	RS232
ID RWA02.10-B	RS485 (max. 32 devices / data bus)
LED	Bicolor (red, green, orange)
Beeper	integrated
Relay	1 closer
Digital inputs	2 (max. cable length 3 m)
Reading distance	maximal 7 cm <sub>2</sub>
Temperature range	
Operation	-25 °C up to 70 °C
Storage	-40 °C up to 85 °C
Relative air humidity	95 % (non-condensing)
MTBF	307.000 h

<sup>1</sup> e.g. HITAG S, HITAG 1 and HITAG 2 by NXP, 555x by Temic, Unique and Q5 by Sokymat, EM 4001, EM 4002, EM 4022, EM 4102 etc.

<sup>2</sup> Reading distances depend on the used transponders; here made statements relate on an inlet size of 76 x 45 mm (3.00 x 1.78 in)

### STANDRAD CONFORMITY

Radio approval	
Europe	EN 300 330
USA	FCC 47 CFR Part 15
EMC	EN 301 489
Safety	
Low voltage	EN 60950
Human Exposure	EN 50364
Environment	RoHS compliant

FEIG ELECTRONIC reserves the right to change specification without notice at any time.  
State of information: September 2008.